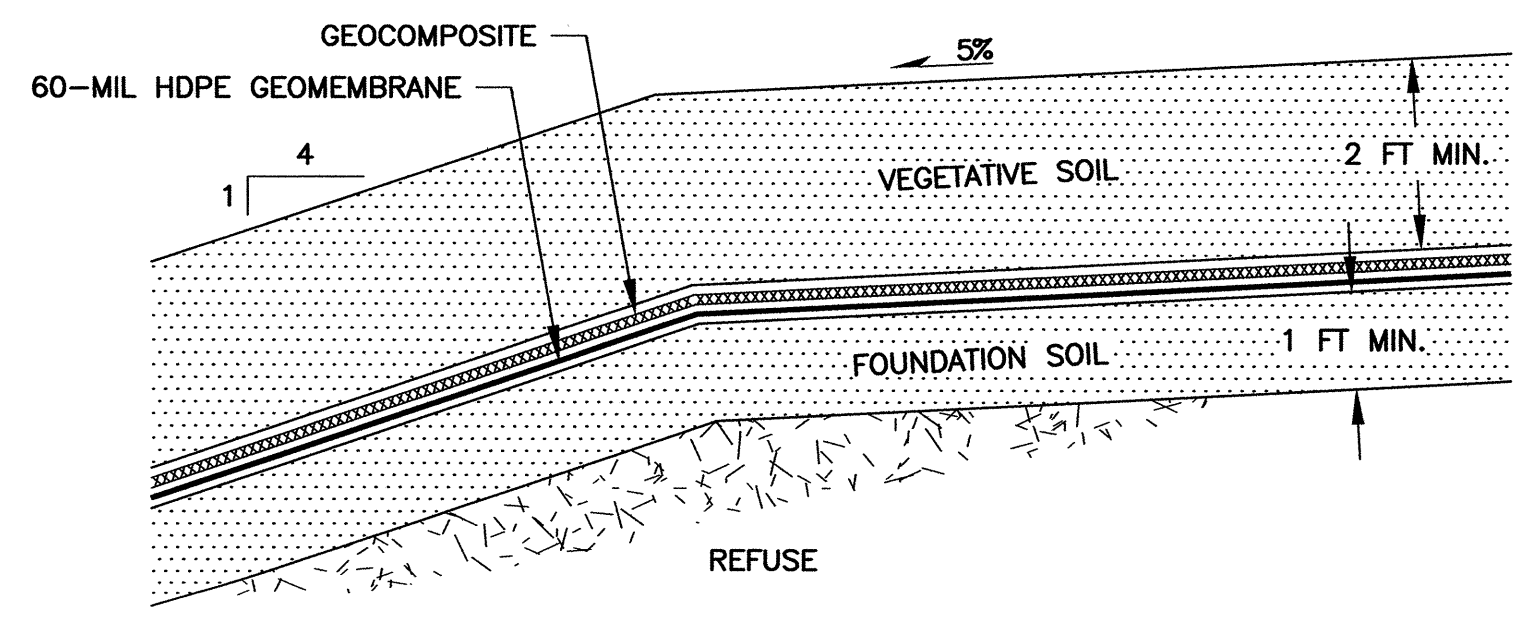
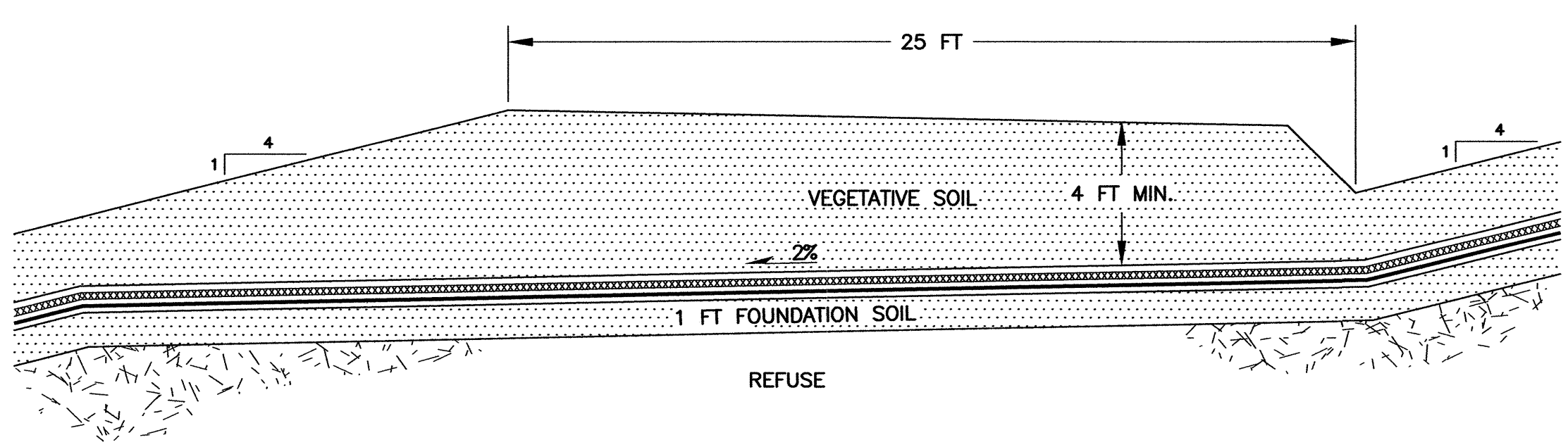


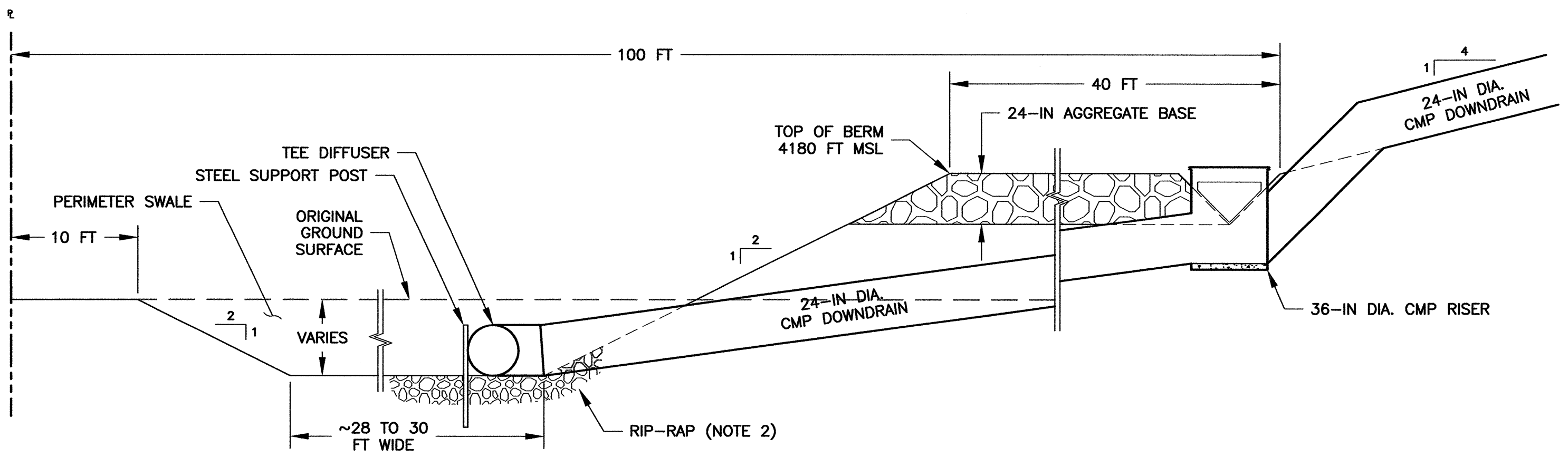
8 PERIMETER BERM DETAIL
 SCALE 0 4 FEET



9 COVER SYSTEM DETAIL
 SCALE 0 2 FEET



10 FINAL COVER SLOPE BENCH
 SCALE 0 4 FEET



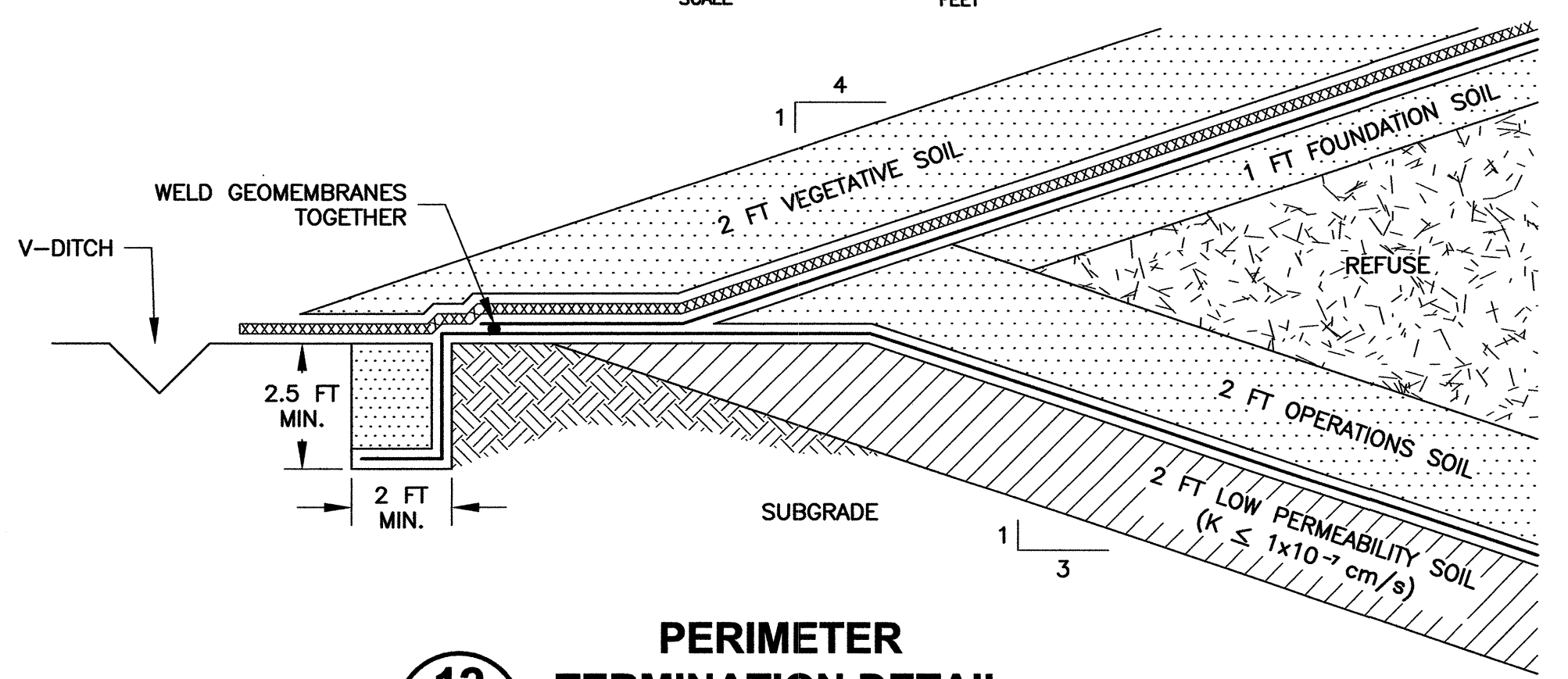
11 CMP DRAINAGE DETAIL
 SCALE 0 4 FEET

LEGEND

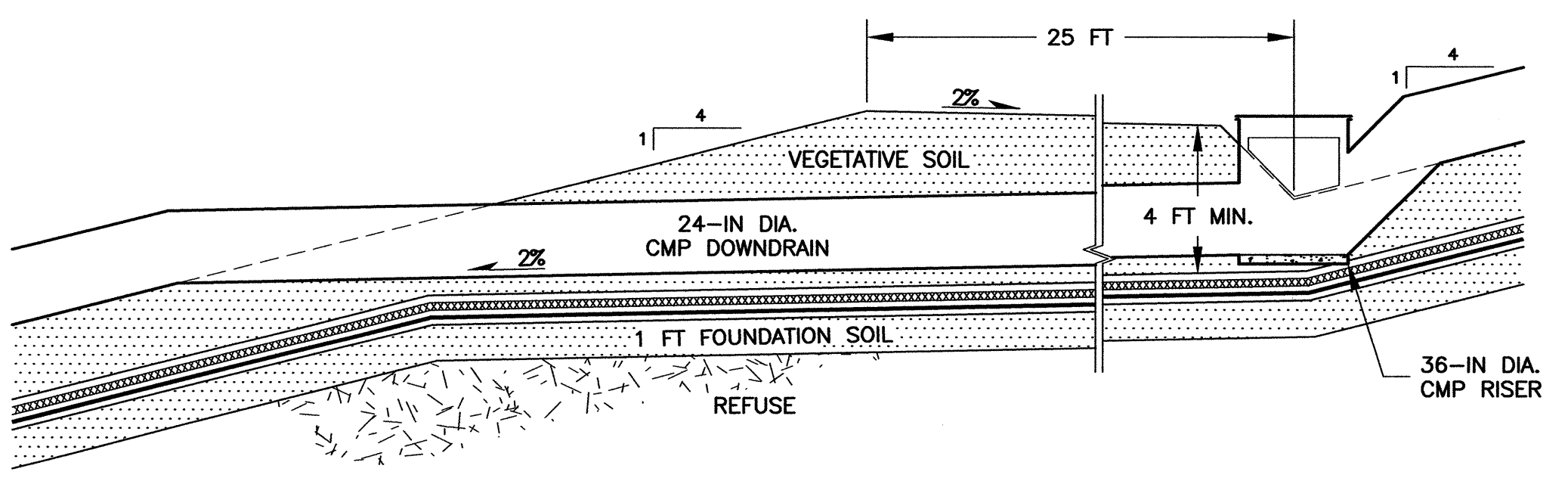
- 2% GRADE INDICATOR
- 1/2 SLOPE INDICATOR
- (5/7/8) DETAIL/SECTION DESIGNATION
- (5/7/8) DRAWING WHERE DETAIL/SECTION IS REFERENCED
- (5/7/8) DRAWING WHERE DETAIL/SECTION IS LOCATED

NOTE

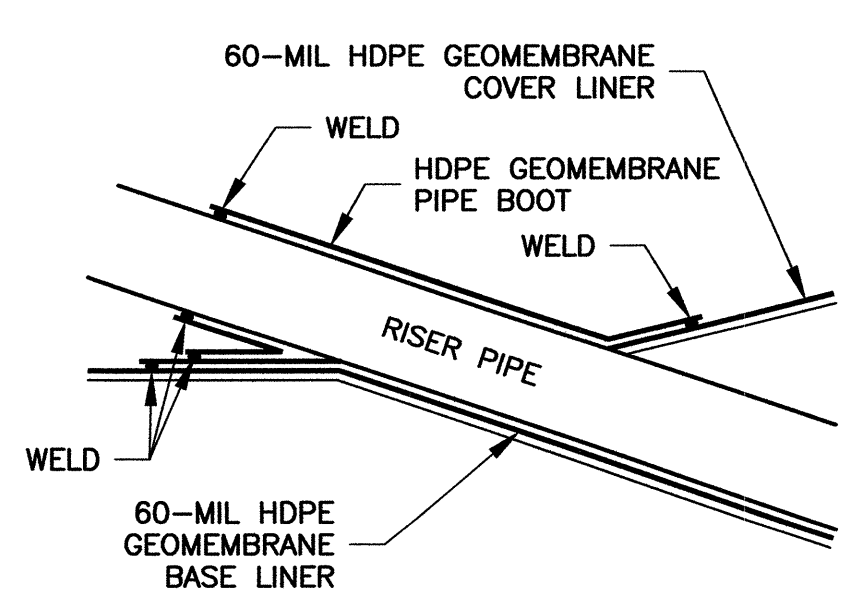
1. GEOSYNTHETICS NOT TO SCALE FOR CLARITY.
2. EXTEND RIP-RAP 15 FT LATERALLY FROM TEE DIFFUSER.



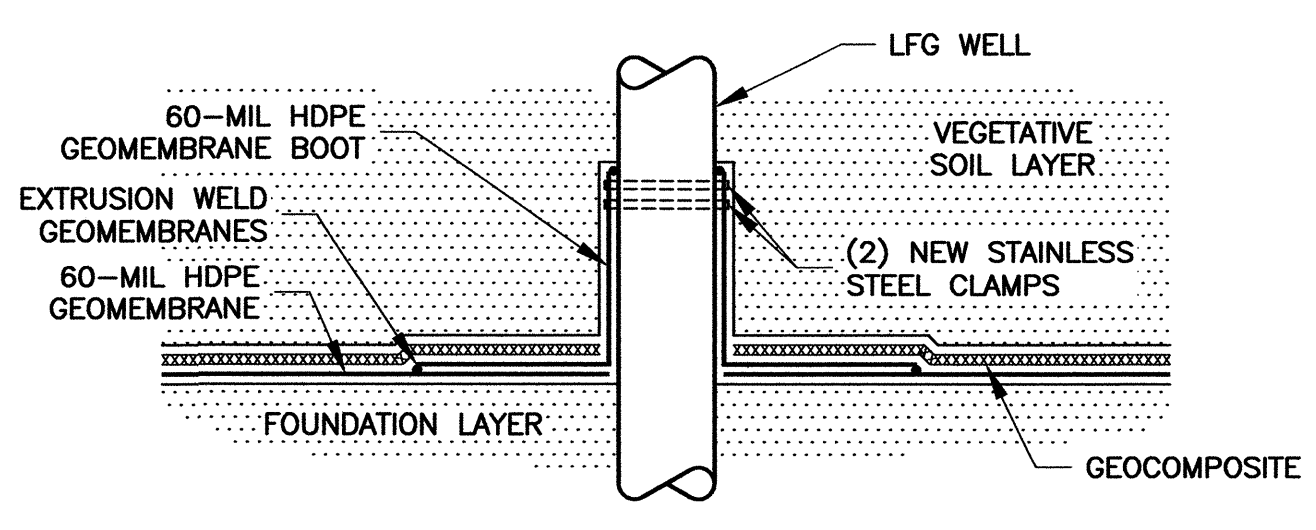
12 PERIMETER TERMINATION DETAIL
 SCALE 0 3 FEET



13 CMP DRAINAGE BENCH DETAIL
 SCALE 0 4 FEET



14 TYPICAL PIPE BOOT
 SCALE 0 2 FEET

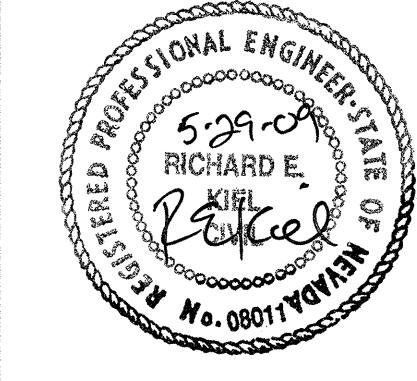


15 GAS COLLECTION WELL PIPE BOOT DETAIL
 (NOT TO SCALE)

REV	DATE	DES	REVISION DESCRIPTION	CADD	CHK	RW
05/29/09	KDH		ADD PIPE BOOT DETAILS			
03/11/08	KDH		ISSUED FOR PERMITTING	RJS	KGH	REK

PROJECT
JUNGO ROAD LANDFILL
WINNEMUCCA, HUMBOLDT COUNTY, NEVADA

TITLE
FINAL COVER DETAILS



PROJECT	No. 063-7079-100	FILE No. 063-7079-100 - Final Cover Details - Ver. 2
DESIGN	KGH	10/01/07
CADD	JDR	03/05/08
CHECK	KGH	03/06/08
REVIEW	REK	03/08/08
		SCALE AS SHOWN REV. B
		8

Drawing File: 063-7079-100 - Final Cover Details - Ver. 2.dwg May 27, 2009 - 4:23pm