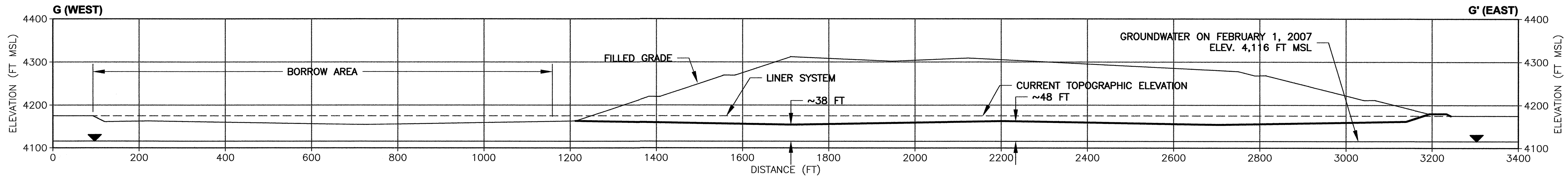
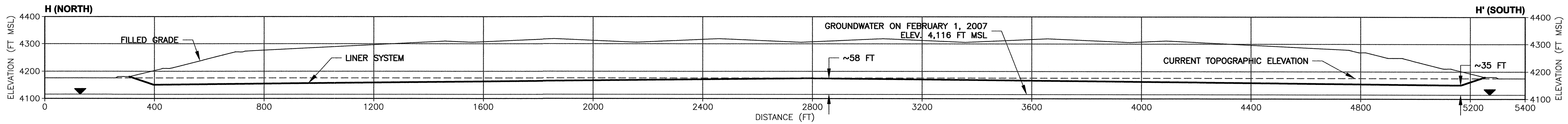


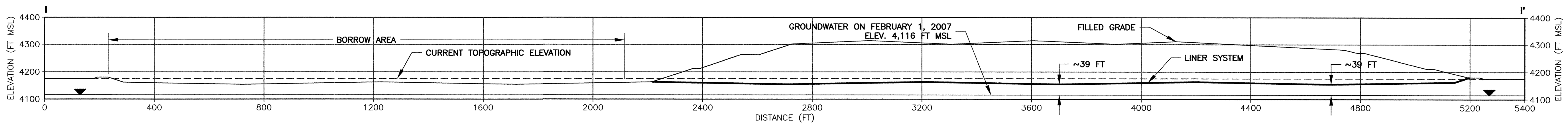
F CROSS-SECTION F-F' FOR CELL DEVELOPMENT - YEAR 25
 12 | 16
 200 0 200
 1:2400 FEET



G CROSS-SECTION G-G' FOR CELL DEVELOPMENT - YEAR 50
 13 | 16
 150 0 150
 1:1800 FEET



H CROSS-SECTION H-H' FOR CELL DEVELOPMENT - YEAR 50
 13 | 16
 200 0 200
 1:2400 FEET

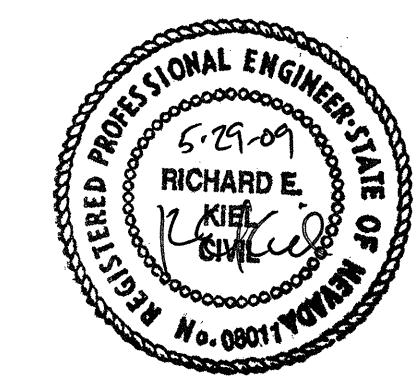


I CROSS-SECTION I-I' FOR CELL DEVELOPMENT - YEAR 75
 14 | 16
 200 0 200
 1:2400 FEET

REV	DATE	DES	REVISION DESCRIPTION	CADD	CHK	REV
05/29/09	KGH		ADD BORROW AREAS			
03/11/08	KDH		ISSUED FOR PERMITTING	RJS	KGH	REK

PROJECT
JUNGO ROAD LANDFILL
 WINNEMUCCA, HUMBOLDT COUNTY, NEVADA

TITLE LANDFILL DEVELOPMENT CROSS SECTIONS 2 OF 2		
PROJECT No. 063-7079-100	FILE No. DWG 15-16-LF Develop Seq CS	
DESIGN KGH 10/01/07	SCALE AS SHOWN	REV. B
CADD JDR 03/05/08		
CHECK KGH 03/06/08		
REVIEW REK 03/08/08		
16		



Drawing file: DWG 15-16-LF - LF Develop Seq CS.dwg May 27, 2009 - 2:02pm