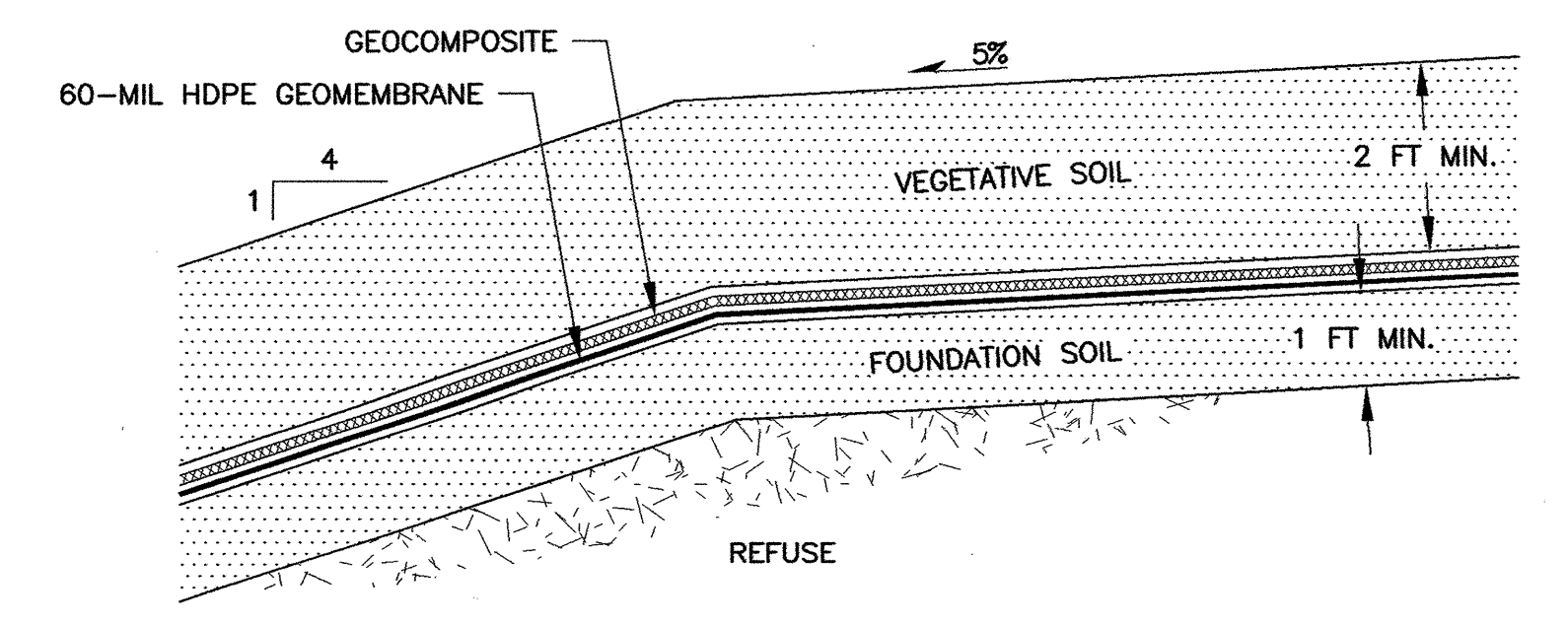
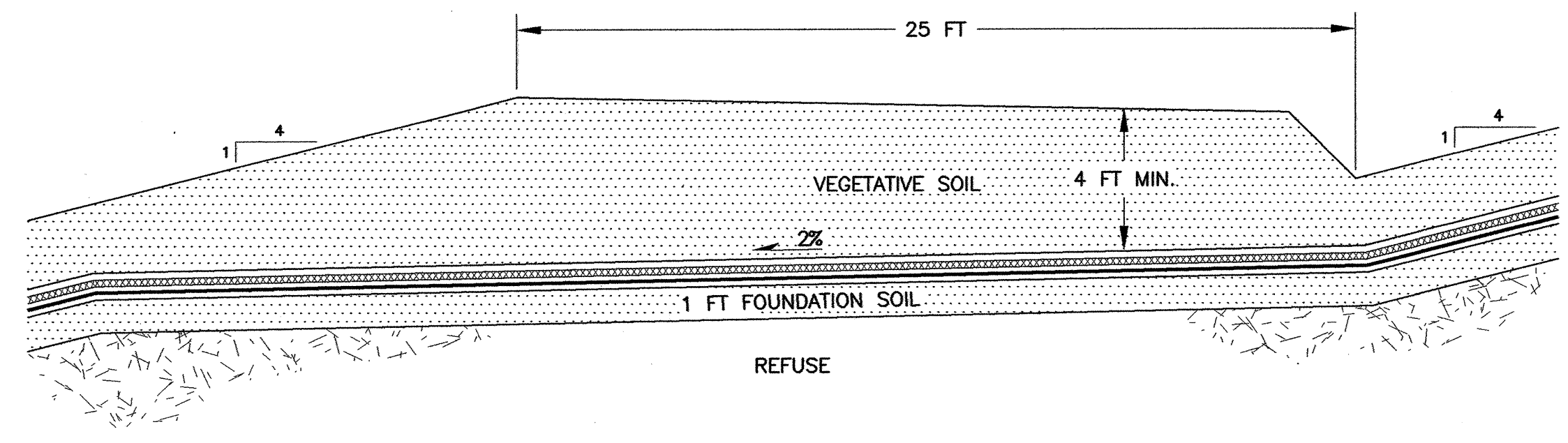


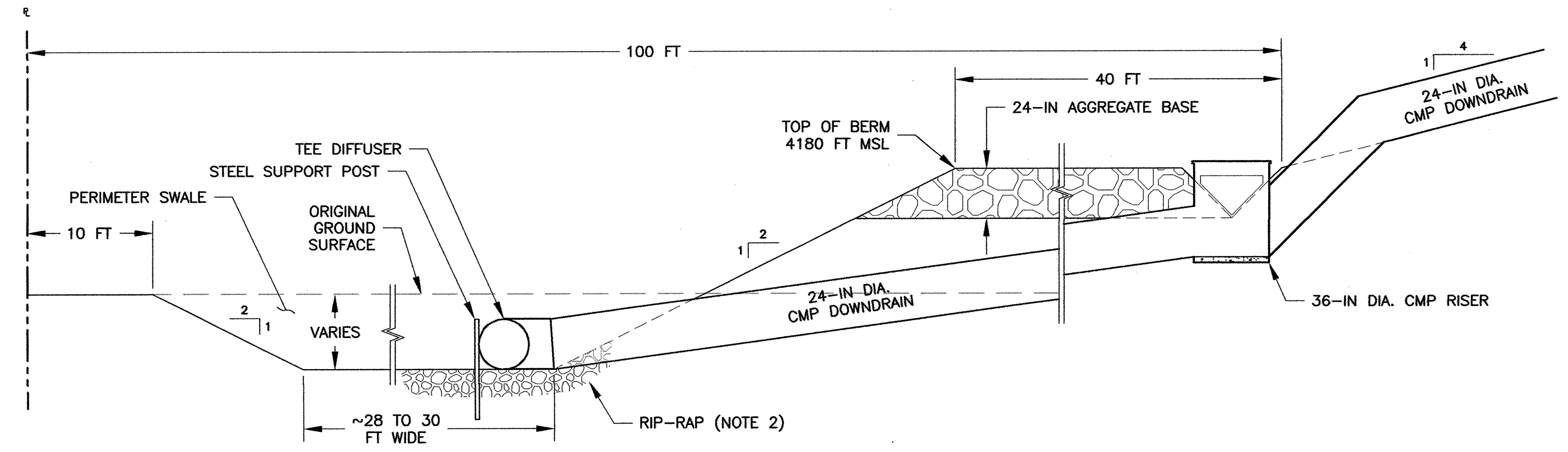
**8 PERIMETER BERM DETAIL**  
 5 8  
 SCALE 0 4 FEET



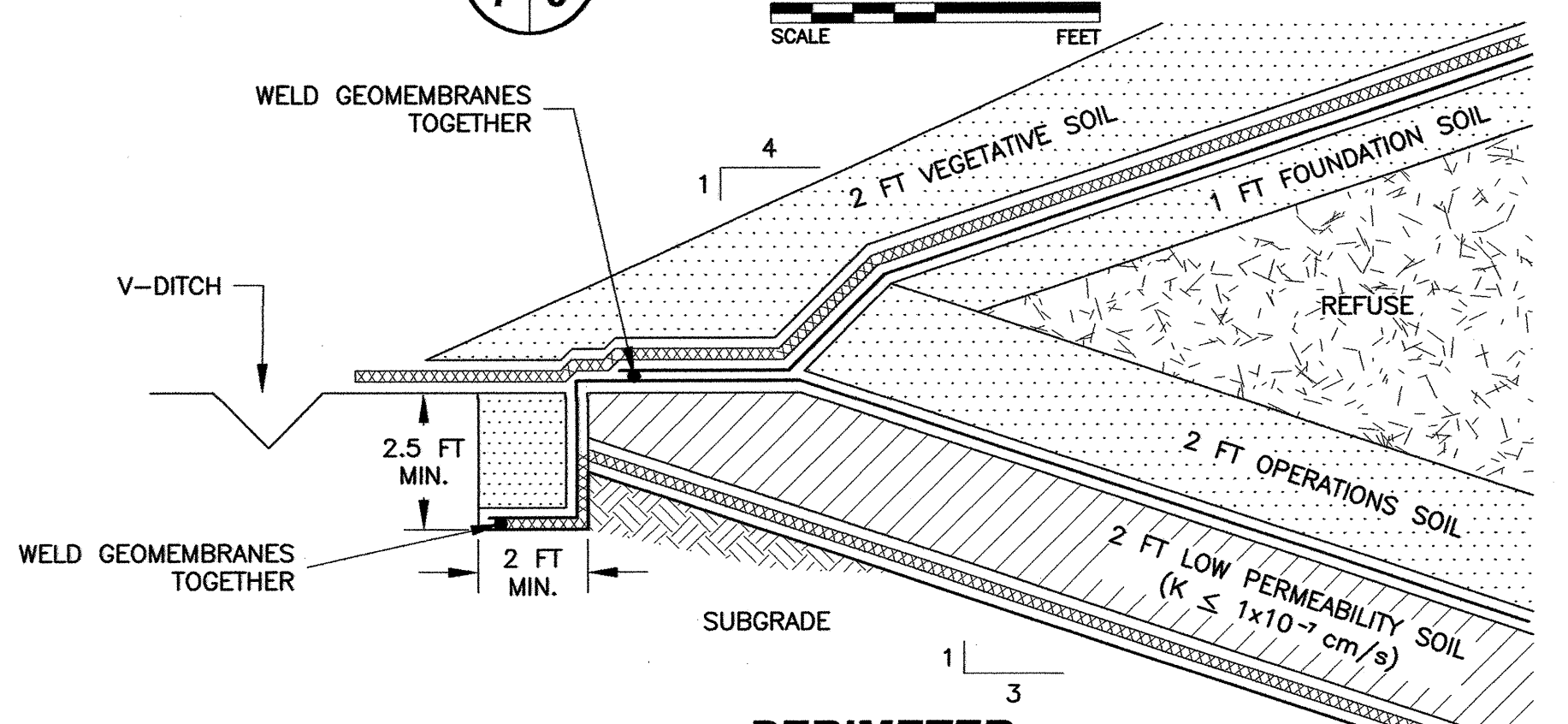
**9 COVER SYSTEM DETAIL**  
 5 8  
 SCALE 0 2 FEET



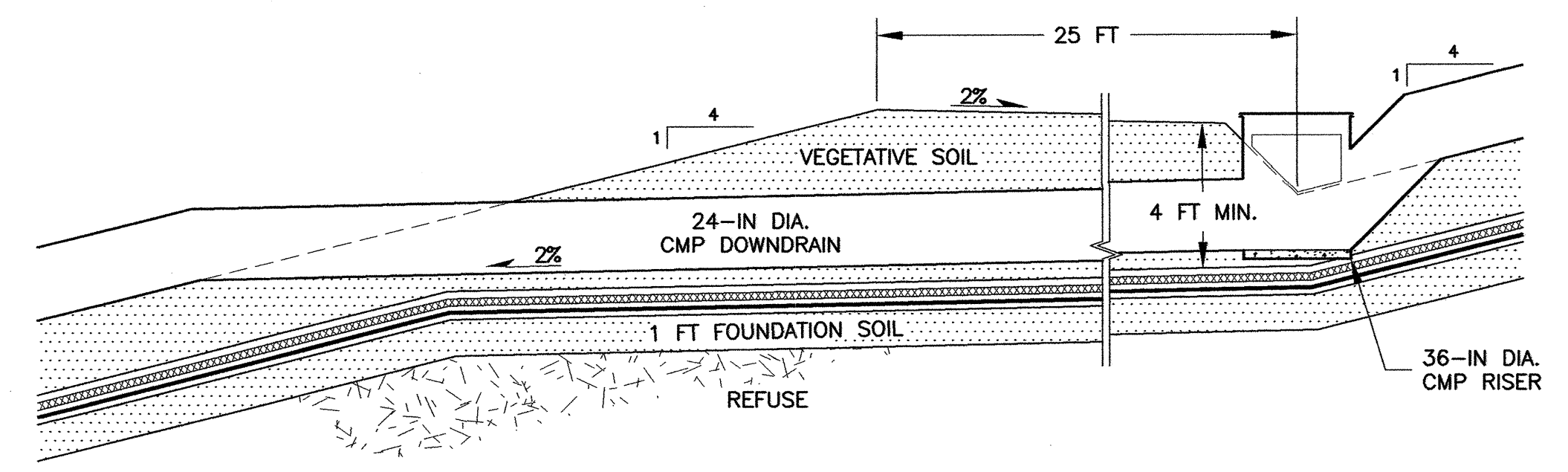
**10 FINAL COVER SLOPE BENCH**  
 7 8  
 SCALE 0 4 FEET



**11 CMP DOWNDRAIN DISCHARGE DETAIL**  
 5 8  
 SCALE 0 4 FEET



**12 PERIMETER TERMINATION DETAIL**  
 5 8  
 SCALE 0 3 FEET



**13 CMP DOWNDRAIN BENCH DETAIL**  
 5 8  
 SCALE 0 4 FEET

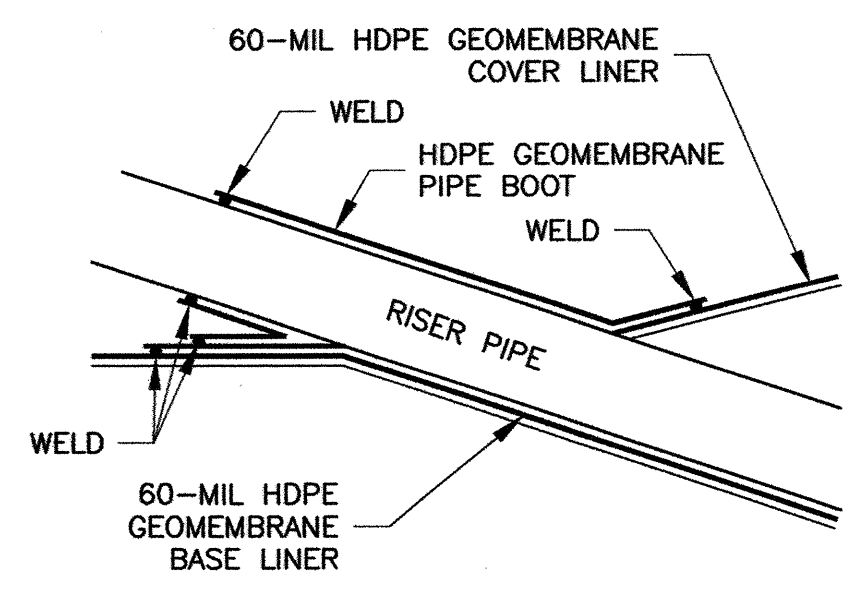
**LEGEND**

← 2% GRADE INDICATOR  
 1/2 SLOPE INDICATOR

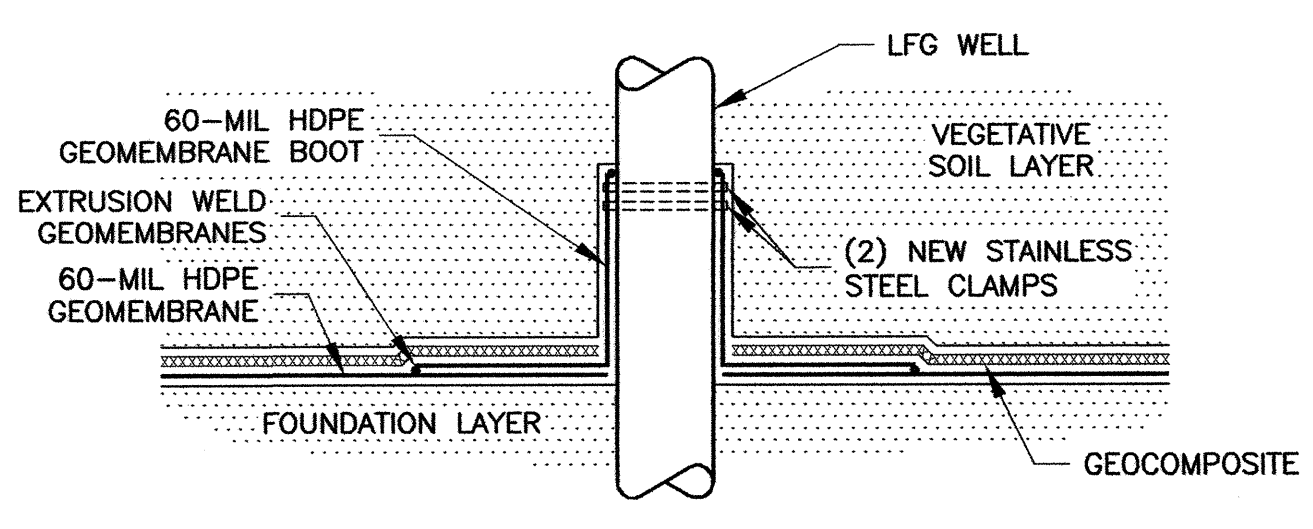
5 7 8  
 DRAWING WHERE DETAIL/SECTION IS REFERENCED  
 DRAWING WHERE DETAIL/SECTION IS LOCATED

**NOTE**

1. GEOSYNTHETICS NOT TO SCALE FOR CLARITY.
2. EXTEND RIP-RAP 15 FT LATERALLY FROM TEE DIFFUSER.



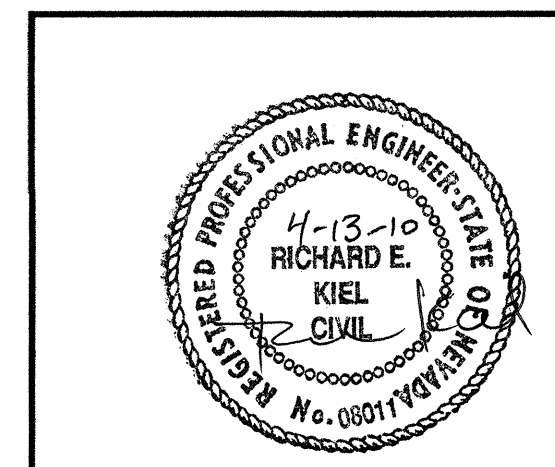
**14 TYPICAL PIPE BOOT**  
 4 8  
 SCALE 0 2 FEET



**15 GAS COLLECTION WELL PIPE BOOT DETAIL**  
 6 8  
 (NOT TO SCALE)

REV	DATE	DES	REVISION DESCRIPTION	CADD	CHK	RWK
04/12/10	KGH		ADD SECONDARY LCRS/LINER	RJS	KGH	REK
05/29/09	KDH		ADD PIPE BOOT DETAILS	RJS	KGH	REK
03/11/08	KDH		ISSUED FOR PERMITTING	RJS	KGH	REK
			REVISION DESCRIPTION	CADD	CHK	RWK

PROJECT  
**JUNGO ROAD LANDFILL  
 WINNEMUCCA, HUMBOLDT COUNTY, NEVADA**



TITLE  
**FINAL COVER DETAILS**

PROJECT	No. 063-7079-100	FILE	Nqwp_08 - Final Cover Detail - Ver. 2
DESIGN	KGH 10/01/07	SCALE	AS SHOWN REV. C
CADD	JDR 03/05/08		
CHECK	KGH 03/06/08		
REVIEW	REK 03/08/08		

**Golder Associates**  
 Sacramento, CA

**8**